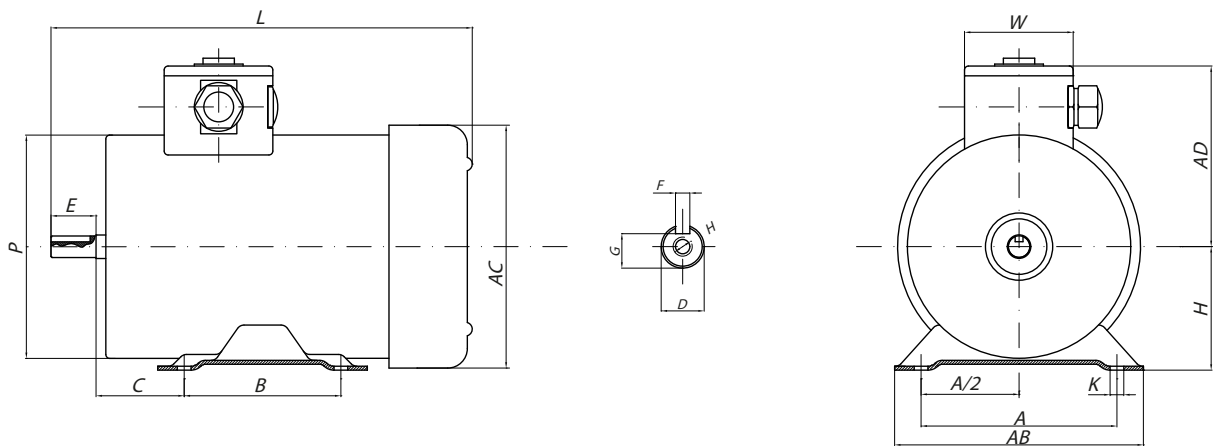


FRAME SIZE FROM 63 TO 80 - B3 FOOT MOUNTED

TENV - NO VENTILATION

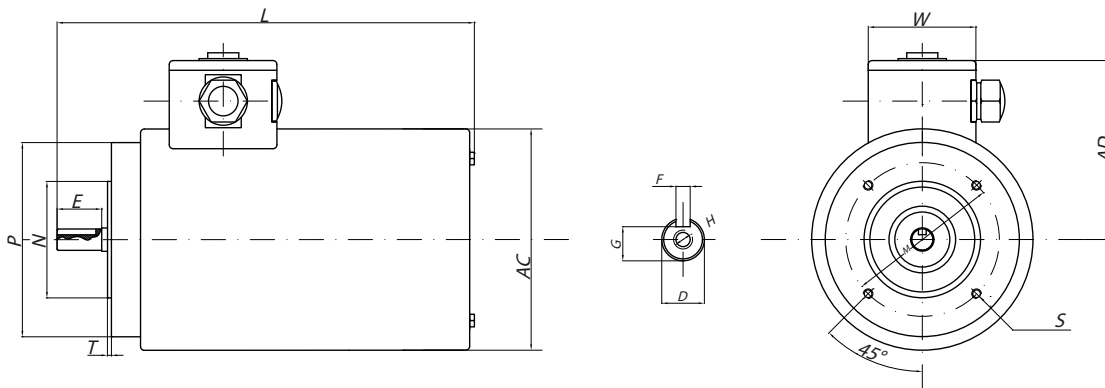
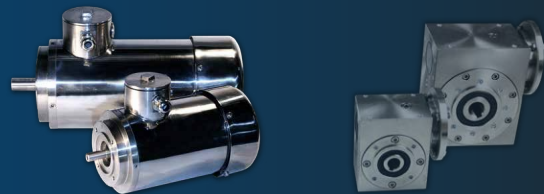
Frame model	Pole	A	A/2	B	C	D	E	F	G	K	P	W	H	AB	AC	AD	L
H 63	2,4	100	50	80	40	11	23	4	8.5	63	114	58	M4	125	114	110	240
H 71	2,4,6	112	56	90	45	14	30	5	11	71	134	58	M5	140	134	120	242
H 80	2,4,6	125	62.5	100	50	19	40	6	15.5	80	144	88	M6	150	144	130	295



FRAME SIZE FROM 80 TO 132 - B3 ON FOOT

TEFC - WITH VENTILATION

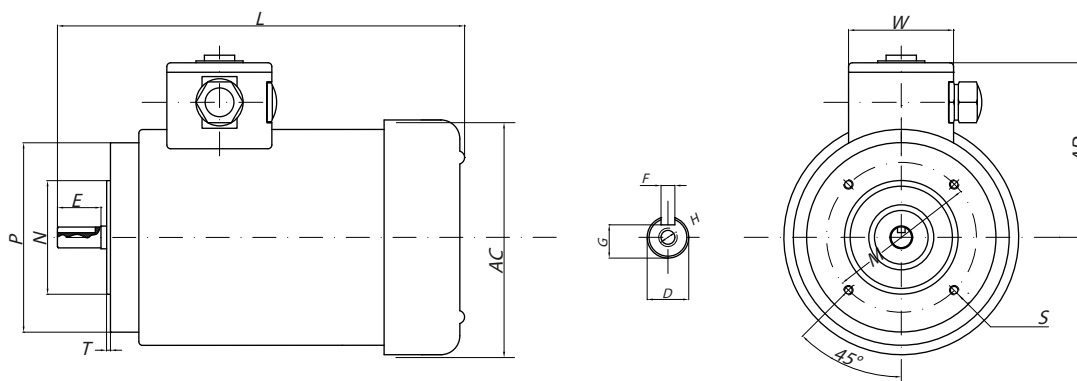
Frame model	Pole	A	A/2	B	C	D	E	F	G	K	P	W	H	AB	AC	AD	L
H 80	2	125	62.5	100	50	19	40	6	15.5	10	144	88	M6	150	144	130	340
H 90S	2,4,6	140	70	100	56	24	50	8	20	10	164	88	M8	165	176	135	370
H 90L	2,4,6	140	70	125	56	24	50	8	20	10	164	88	M8	165	176	135	415
H 100	2,4,6	160	80	140	63	28	60	8	24	12	190	88	M10	190	202	150	433
H 112	2,4,6	190	95	140	70	28	60	8	24	12	215	100	M10	220	231	171	469
H 132S	2,4,6	216	108	140	89	38	80	10	33	12	246	100	M12	246	260	187	524
H 132M	2,4,6	216	108	178	89	38	80	10	33	12	246	100	M12	246	260	187	564



FRAME SIZE FROM 63 TO 80 - B14

TENV - NO VENTILATION

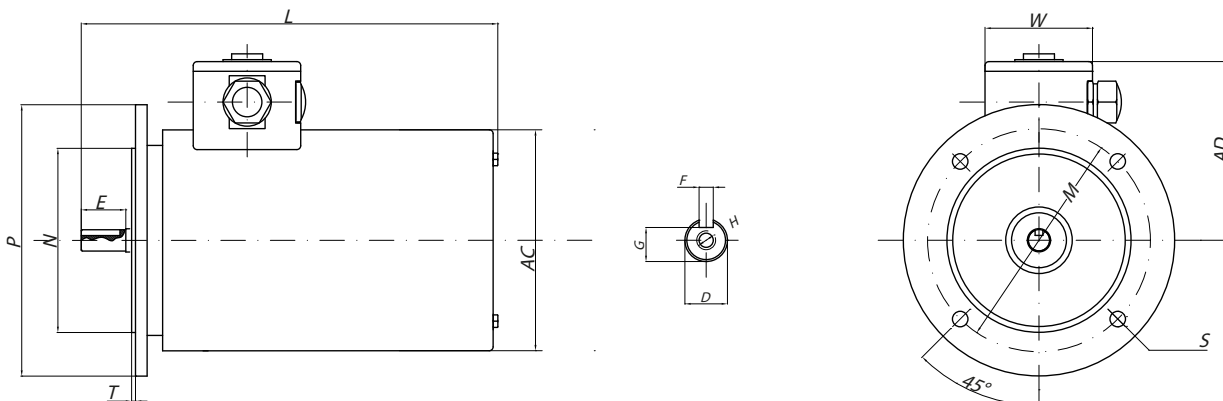
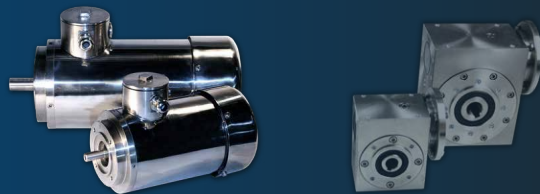
Frame model	Flange type	Pole	D	E	F	G	M	N	P	S	T	W	H	AC	AD	L
H 63	FT75	2,4	11	23	4	8.5	75	60	90	M5	2.5	58	M4	114	110	240
H 71	FT85	2,4,6	14	30	5	11	85	70	105	M6	2.5	58	M5	134	120	242
H 80	FT100	2,4,6	19	40	6	15.5	100	80	120	M6	3	88	M6	144	130	295



FRAME SIZE FROM 80 TO 132 - B14

TEFC - WITH VENTILATION

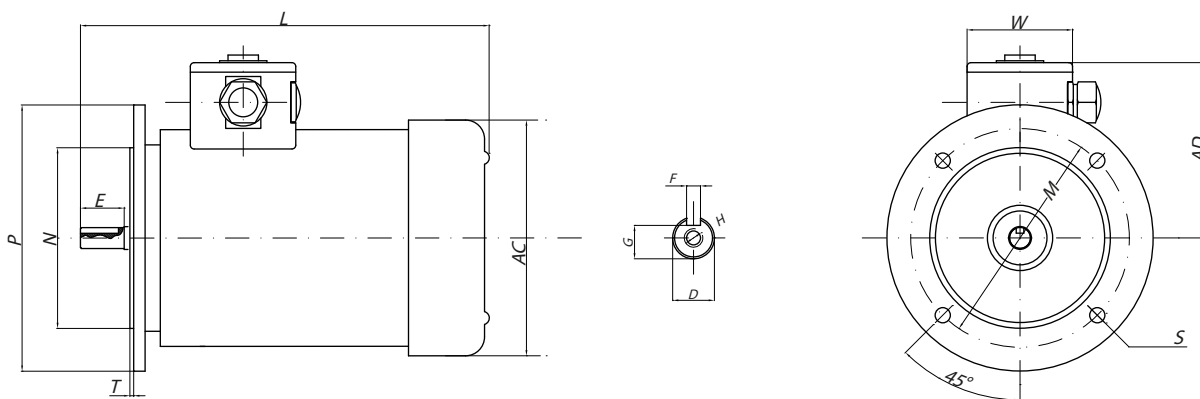
Frame model	Flange type	Pole	D	E	F	G	M	N	P	S	T	W	H	AC	AD	L
H 80	FT100	2	19	40	6	15.5	100	80	120	M6	3	88	M6	144	130	340
H 90S	FT115	2,4,6	24	50	8	20	115	95	140	M8	3	88	M8	176	135	370
H 90L	FT115	2,4,6	24	50	8	20	115	95	140	M8	3	88	M8	176	135	415
H 100	FT130	2,4,6	28	60	8	24	130	110	160	M8	3.5	88	M10	202	150	433
H 112	FT130	2,4,6	28	60	8	24	130	110	160	M8	3.5	100	M10	231	171	469
H 132S	FT165	2,4,6	38	80	10	33	165	130	200	M10	3.5	100	M12	260	187	524
H 132M	FT165	2,4,6	38	80	10	33	165	130	200	M10	3.5	100	M12	260	187	564



FRAME SIZE FROM 63 TO 80 - B5

TENV - NO VENTILATION

Frame model	Flange type	Pole	D	E	F	G	M	N	P	S	T	W	H	AC	AD	L
H 63	FF115	2,4	11	23	4	8.5	115	95	140	10	3	58	M4	114	110	240
H 71	FF130	2,4,6	14	30	5	11	130	110	160	10	3.5	58	M5	134	120	242
H 80	FF165	2,4,6	19	40	6	15.5	165	130	200	12	3.5	88	M6	144	130	295



FRAME SIZE FROM 80 TO 132 - B5

TEFC - WITH VENTILATION

Frame model	Flange type	Pole	D	E	F	G	M	N	P	S	T	W	H	AC	AD	L
H 80	FF165	2	19	40	6	15.5	165	130	200	12	3.5	88	M6	144	130	340
H 90S	FF165	2,4,6	24	50	8	20	165	130	200	12	3.5	88	M8	176	135	370
H 90L	FF165	2,4,6	24	50	8	20	165	130	200	12	3.5	88	M8	176	135	415
H 100	FF215	2,4,6	28	60	8	24	215	180	250	15	4	88	M10	202	150	433
H 112	FF215	2,4,6	28	60	8	24	215	180	250	15	4	100	M10	231	171	469
H 132S	FF265	2,4,6	38	80	10	33	265	230	300	15	4	100	M12	260	187	524
H 132M	FF265	2,4,6	38	80	10	33	265	230	300	15	4	100	M12	260	187	564