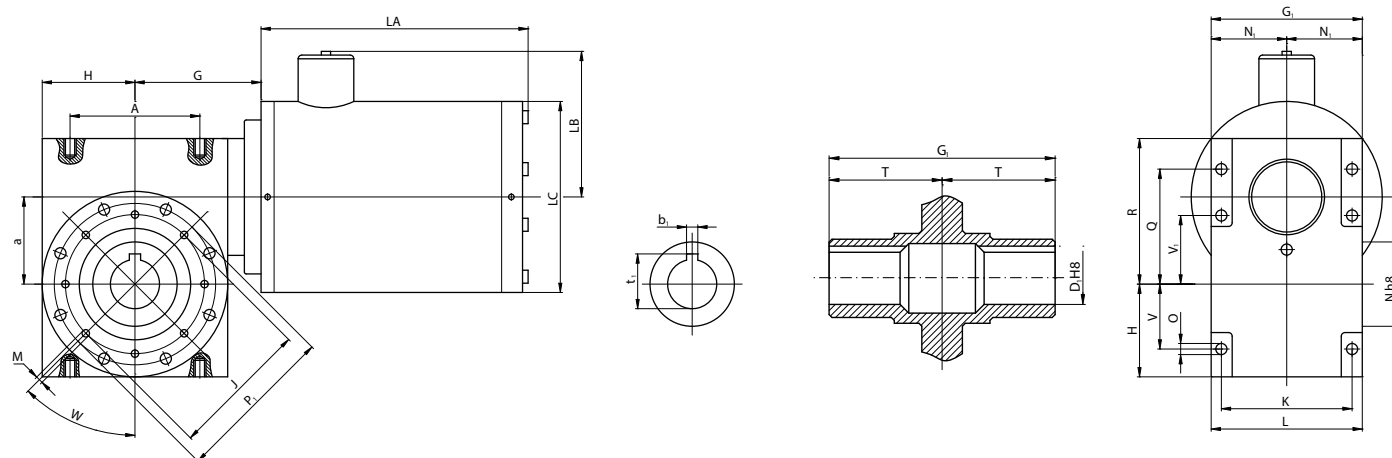


A range of offered models of MNRVSS series

Type	a	b ₁	t ₁	A	D ₁ (H8)	G	G ₁	H	J	K	L
MNRVSS040	40	6	20,8	70	18	70	78	50	75	60	71
MNRVSS050	50	8	28,3	80	25	80	92	60	85	70	85
MNRVSS063	63	8	28,3	100	25	95	112	72	95	85	103

Type	M	N (h8)	N ₁	O	P ₁	Q	R	T	V	V ₁
MNRVSS040	4 szt. M6x8	Ø60	36,5	M6x8	Ø87	55	71,5	26	35	35
MNRVSS050	4 szt. M8x10	Ø70	43,5	M8x10	Ø100	64	84	30	40	40
MNRVSS063	4 szt. M8x14	Ø80	53	M8x14	Ø110	80	102	36	50	50



MNRV series description

- housings are made of smooth, polished stainless steel with uncomplicated shapes, which minimizes the risk of dirt and bacteria accumulation and simplifies cleaning.
- hollowed (output) sleeves – made of stainless steel
- standard motor insulation class IP66 and shaft sealing
- filled with oil of H1 category

In conjunction with the stainless steel motors offered by our company these products are great aseptic drives. Reaction arms from stainless steel complete our product range.